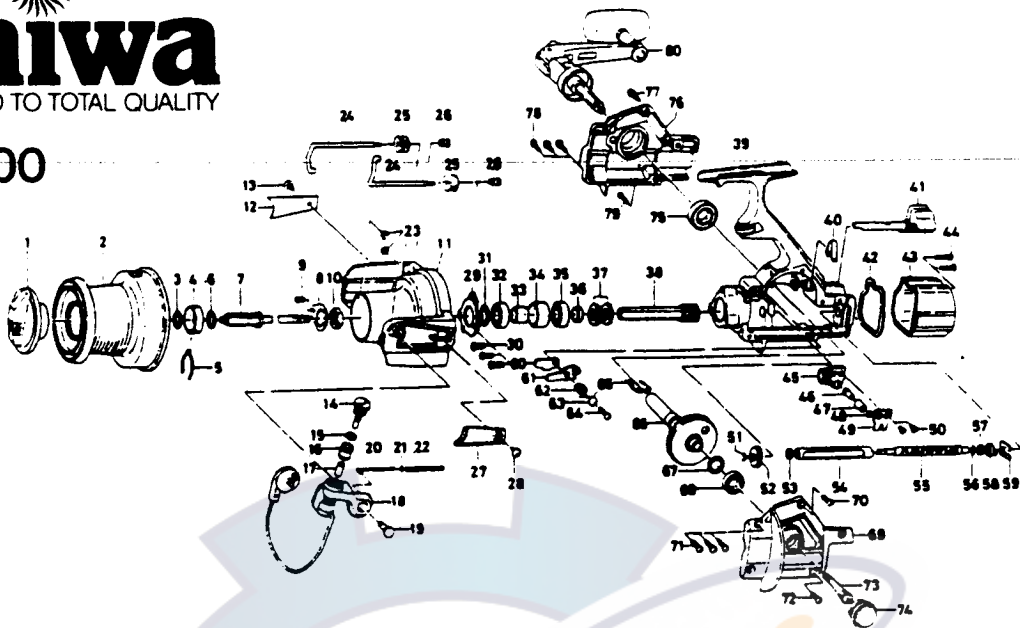


Daiwa

COMMITTED TO TOTAL QUALITY

SS9000



Key No.	Parts No.	Parts Name	Key No.	Parts No.	Parts Name
1.	E12-6802	Drag knob	43.	E35-0501	Rear cover
2.	E35-0701	Spool assembly	44.	E24-8102	Rear cover screw
3.	E14-6503	Spool washer	45.	E26-3102	Oscillating slider
4.	E12-2301	Click leaf spring holder	46.	E26-4101	Oscillating pawl
5.	B74-7701	Spool click leaf spring	47.	E26-4201	Oscillating pawl bush
6.	371-2800	Main shaft washer	48.	375-0800	Oscillating pawl washer
7.	E35-0201	Main shaft assembly	49.	E26-4301	Oscillating slider cover
8.	E33-3801	Rotor nut holding plate	50.	352-1502	Oscillating slider cover screw
9.	351-1804	Rotor nut holding plate screw	51.	320-5901	Worm shaft gear retainer
10.	B43-7603	Rotor nut	52.	E34-9201	Worm shaft gear
11.	E34-9701	Rotor assembly	53.	E33-2501	Ball bearing B
12.	E26-5901	Bail trip cover	54.	E34-9001	Worm shield cover
13.	351-6106	Bail trip cover screw	55.	E34-9101	Worm shaft
14.	B21-1305	Line roller screw	56.	B41-1700	Worm shaft washer
15.	375-4301	Lock washer	57.	E33-2501	Ball bearing B
16.	E33-3601	Line roller	58.	E33-2001	Worm shaft collar
17.	B44-3401	Line roller bushing	59.	E26-3601	Worm shaft retainer
18.	E34-9801	Bail	60.	E34-8401	Anti-reverse pawl plate
19.	E33-3402	Bail arm screw	61.	E34-8501	Anti-reverse pawl
20.	E32-6701	Bail spring shaft	62.	E26-2101	Anti-reverse pawl collar
21.	E31-3901	Bail spring washer	63.	E26-2202	Anti-reverse pawl spring A
22.	E26-5601	Bail spring	64.	B83-5002	Anti-reverse pawl screw
23.	320-5901	Bail arm screw retainer	65.	E26-4501	Anti-reverse pawl spring B
24.	E35-0101	Line guard roller shaft	66.	E35-3001	Drive gear
25.	E32-6801	Line guard roller	67.	B27-0700	Drive gear washer
26.	E26-6901	Roller shaft nut	68.	637-6101	Ball bearing A
27.	E26-5901	Bail spring cover	69.	E34-9501	Left side cover
28.	351-6106	Bail spring cover screw	70.	B00-9702	Side cover screw A
29.	B67-8401	Bearing retainer	71.	B00-9701	Side cover screw B
30.	L01-1702	Bearing retainer screw	72.	E15-8601	Side cover screw C
31.	372-7603	Bearing washer	73.	B33-2501	Handle screw
32.	637-6101	Ball bearing A	74.	E33-4803	Handle screw cap
33.	E34-8801	Spacer	75.	637-6101	Ball bearing A
34.	E34-8901	Spacing sleeve A	76.	E34-9301	Right side cover
35.	637-6101	Ball bearing A	77.	B00-9702	Side cover screw A
36.	E26-2801	Spacing sleeve B	78.	B00-9701	Side cover screw B
37.	E26-2701	Anti-reverse ratchet	79.	E15-8601	Side cover screw C
38.	E34-8701	Pinion gear	80.	E37-5301	Handle assembly
39.	E34-8201	Body			
40.	E32-7801	Anti-reverse cam spring			
41.	E26-2303	Anti-reverse lever			
42.	E35-0401	Water shield			